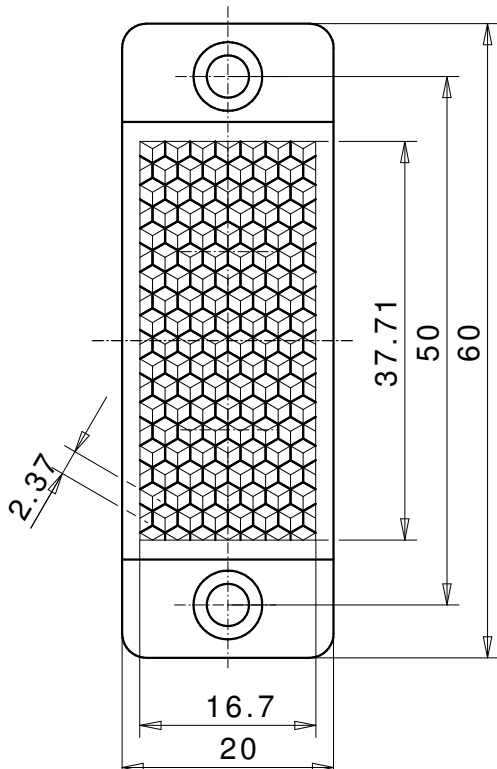
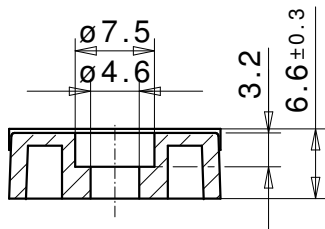


# Reflector for photoelectric sensor 20x40 LH black ZSB



## REFLECTOR DATA

Application	Reflector for photoelectric sensor
Item	20x40 LH black ZSB
Item no.	98022590

## TECHNICAL SPECIFICATIONS

Shape	angular
Size (LxWxH)	60x20x6,6 mm
Reflective size (LxW)	37,8x16,7 mm
Tolerance	TG5 [DIN 16742]
Mounting	to be screwed
Chemical resistance	Standard
Protection	IP68
Operating temp.	-20°C to +65°C
Surface	Standard
Optical structure	hexagonal
Optic size	Standard triple SW2,3
Polarizing rotation	yes
Application	Standard sensors

## MATERIAL DATA

Material reflector	PMMA clear
Material bracket	PMMA high impact black

## DESCRIPTION

The standard reflectors have highest reflection values and ranges. These reflectors are best suited for applications with standard sensors.