

Reflector for photoelectric sensor 25D SW4 sk ZSB

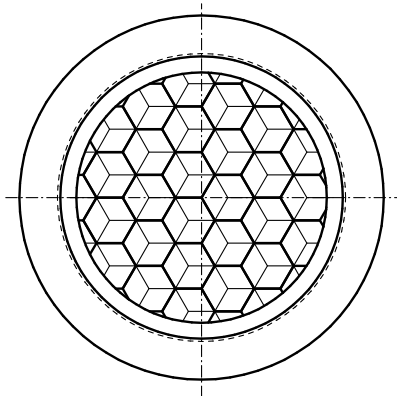
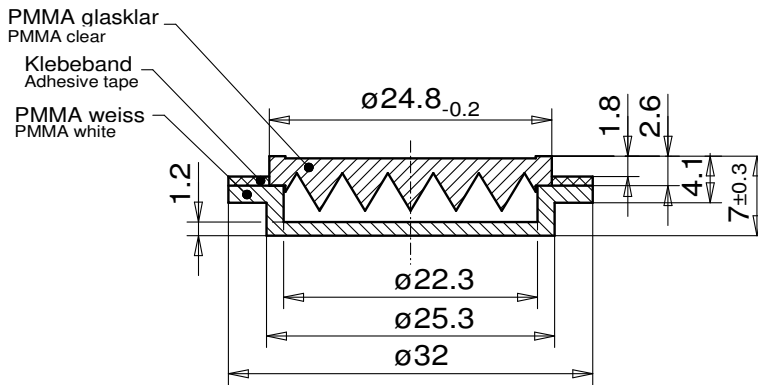


REFLECTOR DATA

Application	Reflector for photoelectric sensor
Item	25D SW4 sk ZSB
Item no.	04102510

TECHNICAL SPECIFICATIONS

Shape	round
Size(ØxHeight)	32x7 mm
Reflective size (Ø)	22mm
Tolerance	TG5 [DIN 16742]
Mounting	to be glued (with tape)
Chemical resistance	Standard
Protection	IP68
Operating temp.	-20°C to +65°C
Surface	Standard
Optical structure	hexagonal
Optic size	Standard triple SW4
Polarizing rotation	yes
Application	Standard sensors



MATERIAL DATA

Material reflector	PMMA clear
Material bracket	PMMA high impact white

DESCRIPTION

The standard reflectors have highest reflection values and ranges. These reflectors are best suited for applications with standard sensors.