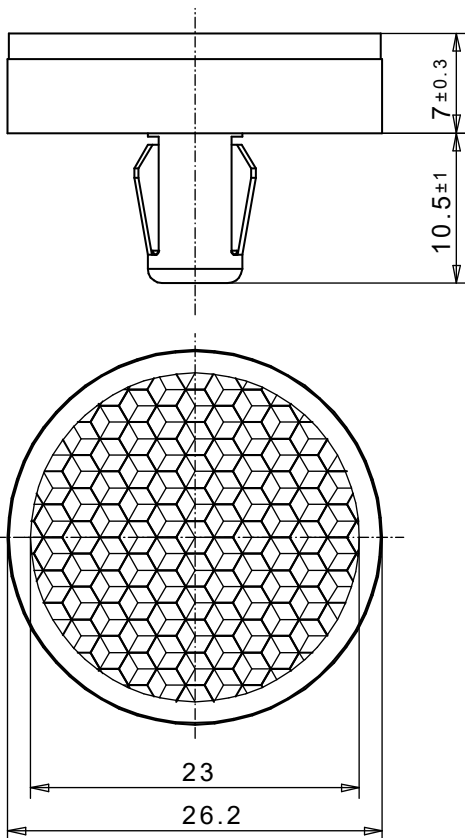


Reflector for photoelectric sensor 26DF Clip7 Z ZSB



Clip passend für Bohrung 7mm
Blechstärke 1,5-2mm

Clip suitable for hole 7mm
material thickness 1,5-2mm

REFLECTOR DATA

Application	Reflector for photoelectric sensor
Item	26DF Clip7 Z ZSB
Item no.	05802510

TECHNICAL SPECIFICATIONS

Shape	round
Size(ØxHeight)	26,2x7 mm
Reflective size (Ø)	23mm
Tolerance	TG5 [DIN 16742]
Mounting	be clipped, Polyamide
Chemical resistance	Standard
Protection	IP65
Operating temp.	-20°C to +65°C
Surface	Standard
Optical structure	hexagonal
Optic size	Standard triple SW2,3
Polarizing rotation	yes
Application	Standard sensors

MATERIAL DATA

Material reflector	PMMA clear
Material bracket	PMMA high impact white

DESCRIPTION

The standard reflectors have highest reflection values and ranges. These reflectors are best suited for applications with standard sensors.