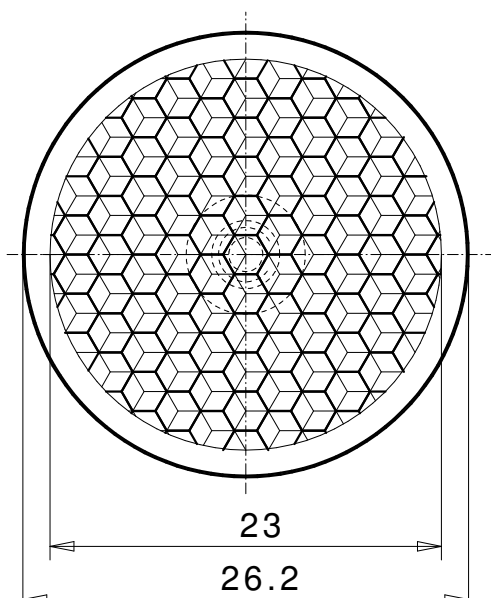
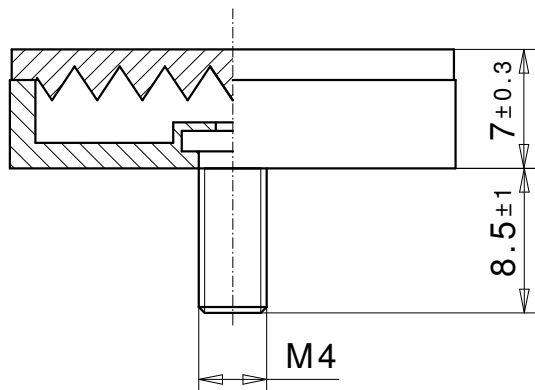


## Reflector for photoelectric sensor 26DF M4 ZSB



### REFLECTOR DATA

Application	Reflector for photoelectric sensor
Item	26DF M4 ZSB
Item no.	02362510

### TECHNICAL SPECIFICATIONS

Shape	round
Size(ØxHeight)	26,2x7 mm
Reflective size (Ø)	23mm
Tolerance	TG5 [DIN 16742]
Mounting	Threaded bolt M4, 1.4301
Chemical resistance	Standard
Protection	IP65
Operating temp.	-20°C to +65°C
Surface	Standard
Optical structure	hexagonal
Optic size	Standard triple SW2,3
Polarizing rotation	yes
Application	Standard sensors

### MATERIAL DATA

Material reflector	PMMA clear
Material bracket	PMMA high impact white

### DESCRIPTION

The standard reflectors have highest reflection values and ranges. These reflectors are best suited for applications with standard sensors.