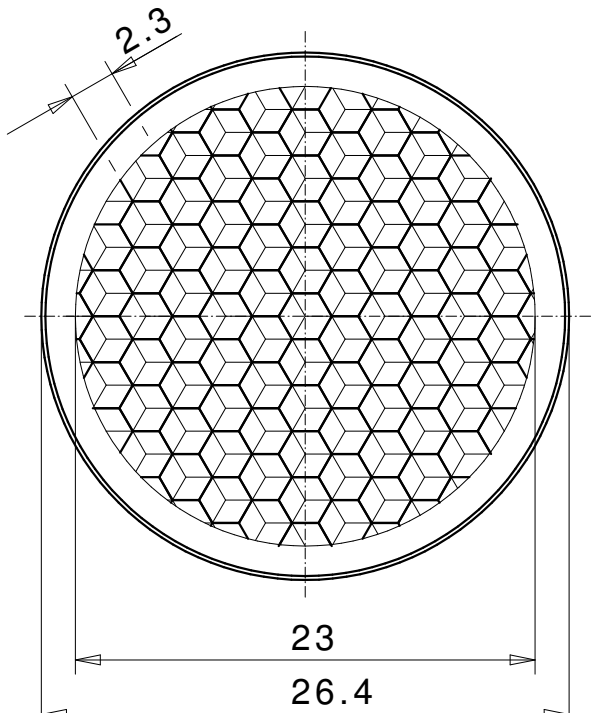
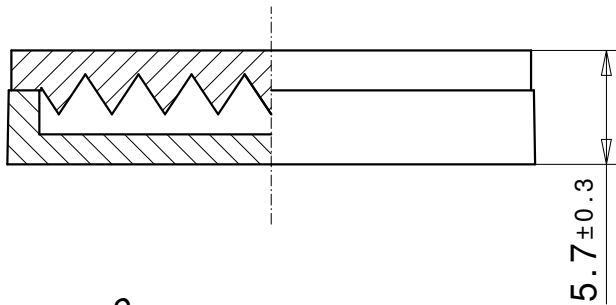


Reflector for photoelectric sensor 26DF ZSB



REFLECTOR DATA

Application	Reflector for photoelectric sensor
Item	26DF ZSB
Item no.	02352510

TECHNICAL SPECIFICATIONS

Shape	round
Size(ØxHeight)	26,4x5,7 mm
Reflective size (Ø)	23mm
Tolerance	TG5 [DIN 16742]
Mounting	to be glued (without tape)
Chemical resistance	Standard
Protection	IP68
Operating temp.	-20°C to +65°C
Surface	Standard
Optical structure	hexagonal
Optic size	Standard triple SW2,3
Polarizing rotation	yes
Application	Standard sensors

MATERIAL DATA

Material reflector	PMMA clear
Material bracket	PMMA high impact white

DESCRIPTION

The standard reflectors have highest reflection values and ranges. These reflectors are best suited for applications with standard sensors.