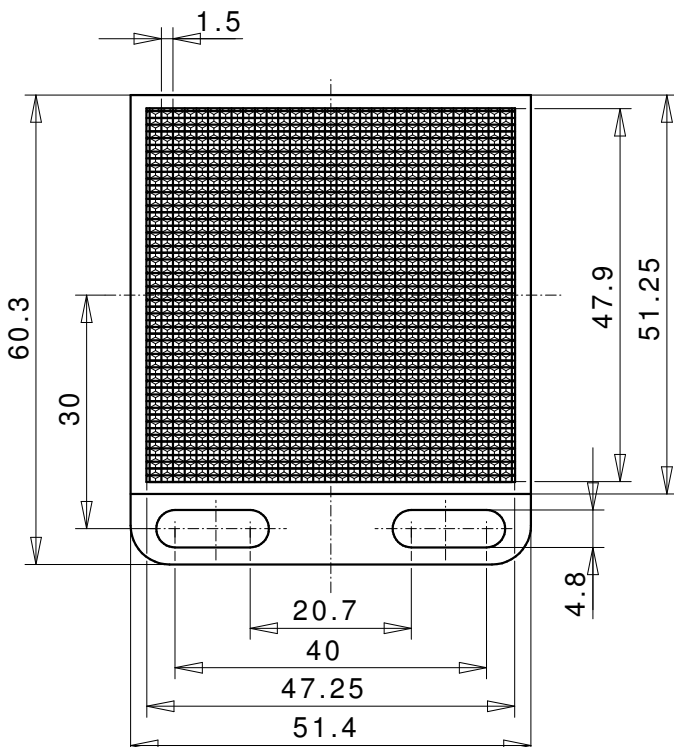
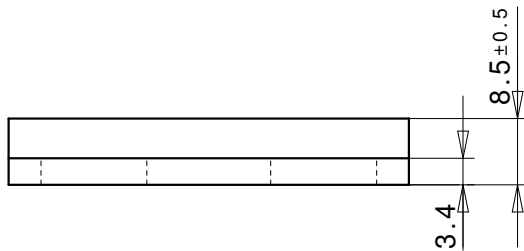


Reflector for photoelectric sensor

50x50 LHEM ZSB



REFLECTOR DATA

Application	Reflector for photoelectric sensor
Item	50x50 LHEM ZSB
Item no.	05302510

TECHNICAL SPECIFICATIONS

Shape	angular
Size (LxWxH)	60,3x51,4x8,5 mm
Reflective size (LxW)	47,9x47,25 mm
Tolerance	TG5 [DIN 16742]
Mounting	to be screwed
Chemical resistance	Standard
Protection	IP68
Operating temp.	-20°C to +65°C
Surface	Standard
Optical structure	hexagonal
Optic size	fine triple SW1,2
Polarizing rotation	yes
Application	Standard sensors / laser photo-electric sensors

MATERIAL DATA

Material reflector	PMMA clear
Material bracket	PMMA high impact white

DESCRIPTION

The fine structured reflectors are particularly suitable for laser sensors with a very small light beam. In case of small movements, reflectors with large prisms can cause interruptions. The fine structured reflectors consist of many microstructured prisms, which guarantee a reliable and constant response.