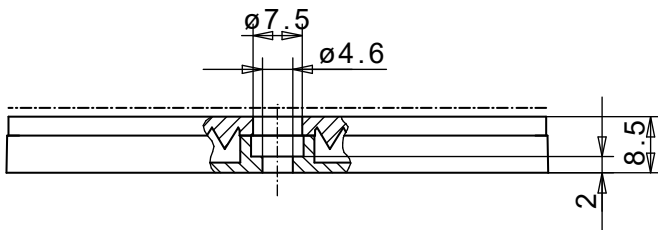
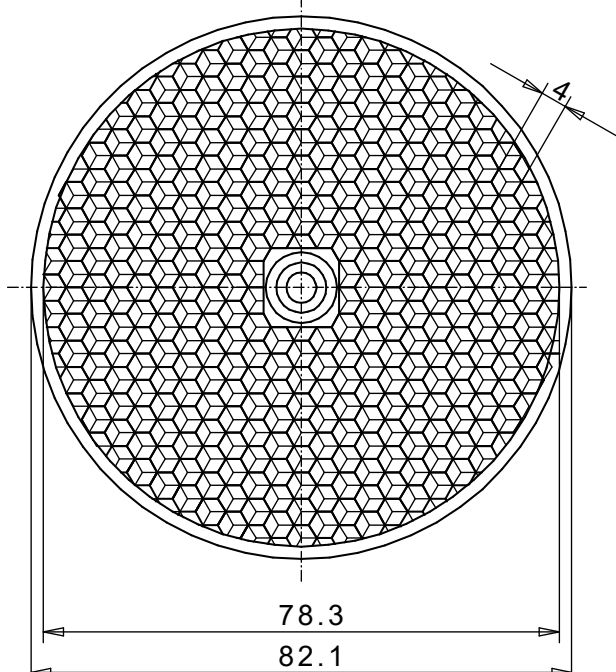


Reflector for photoelectric sensor 82DF SW4 Bo AF black ZSB



----- dieser Bereich Anti-Fog beschichtet
This area anti-fog coated



REFLECTOR DATA

Application	Reflector for photoelectric sensor
Item	82DF SW4 Bo AF black ZSB
Item no.	01012790

TECHNICAL SPECIFICATIONS

Shape	round
Size(ØxHeight)	82,1x8,5 mm
Reflective size (Ø)	78,3mm
Tolerance	TG5 [DIN 16742]
Mounting	to be screwed
Chemical resistance	Standard
Protection	IP68
Operating temp.	-20°C to +65°C
Surface	anti-fog
Optical structure	hexagonal
Optic size	Standard triple SW4
Polarizing rotation	yes
Application	Standard sensors

MATERIAL DATA

Material reflector	PMMA clear
Material bracket	PMMA high impact black

DESCRIPTION

The surface is characterized by excellent Anti-Fogging effect and its very high scratch resistance. These reflectors should not be used in areas below 5 °C, as it can lead to icing of the surface and the function of the reflector is no longer guaranteed. In order to maintain the function of the Anti-Fogging effect as long as possible, the cleaning recommendations should be observed.