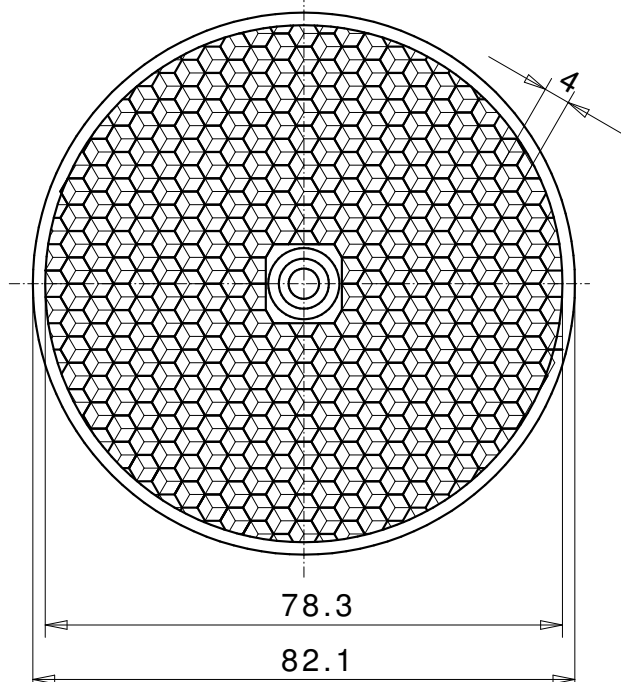
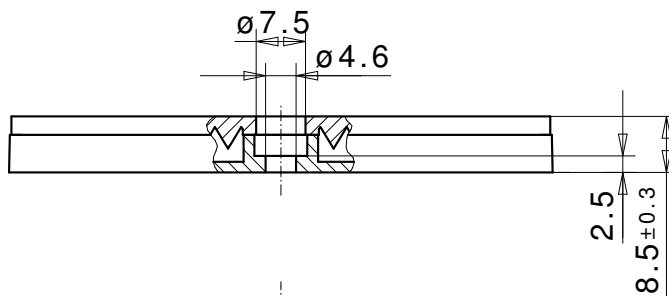


Reflector for photoelectric sensor 82DF SW4 Bo ZSB



REFLECTOR DATA

Application	Reflector for photoelectric sensor
Item	82DF SW4 Bo ZSB
Item no.	01012510

TECHNICAL SPECIFICATIONS

Shape	round
Size(ØxHeight)	82,1x8,5 mm
Reflective size (Ø)	78,3mm
Tolerance	TG5 [DIN 16742]
Mounting	to be screwed
Chemical resistance	Standard
Protection	IP68
Operating temp.	-20°C to +65°C
Surface	Standard
Optical structure	hexagonal
Optic size	Standard triple SW4
Polarizing rotation	yes
Application	Standard sensors

MATERIAL DATA

Material reflector	PMMA clear
Material bracket	PMMA high impact white

DESCRIPTION

The standard reflectors have highest reflection values and ranges. These reflectors are best suited for applications with standard sensors.