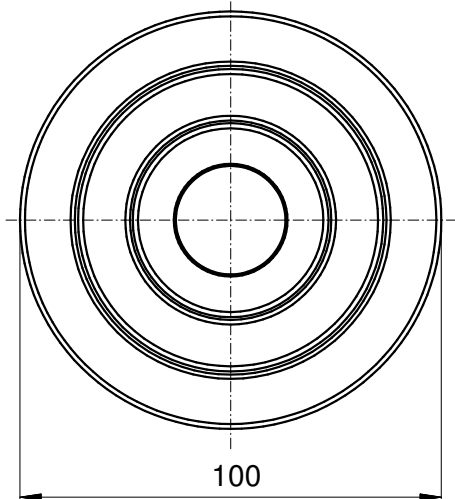
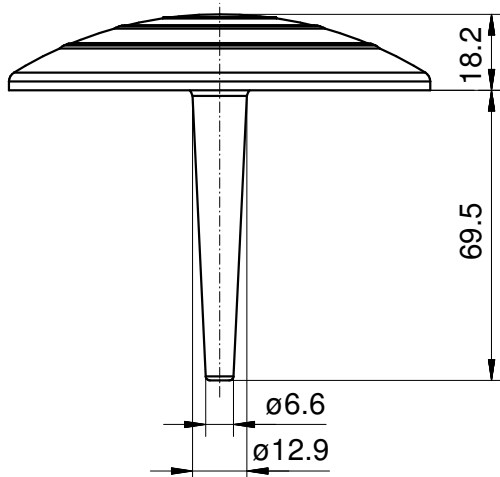


Road stud

MK Alu 100D with pointed shank



REFLECTOR DATA

Application	Aluminum road stud
Item	MK Alu 100D with pointed shank
Item no.	21036270

TECHNICAL SPECIFICATIONS

Shape	round
Size(\varnothing xHeight)	100 x 18,2 mm
Tolerance	ISO 2768-c
Mounting	to be glued (without tape) to be pressed in
Chemical resistance	Increased
Operating temp.	-40°C bis +120°C
Surface	Standard

MATERIAL DATA

Material bracket	Aluminum
Material reflector	-

DESCRIPTION

Road studs for marking roads, traffic routes and parking spaces