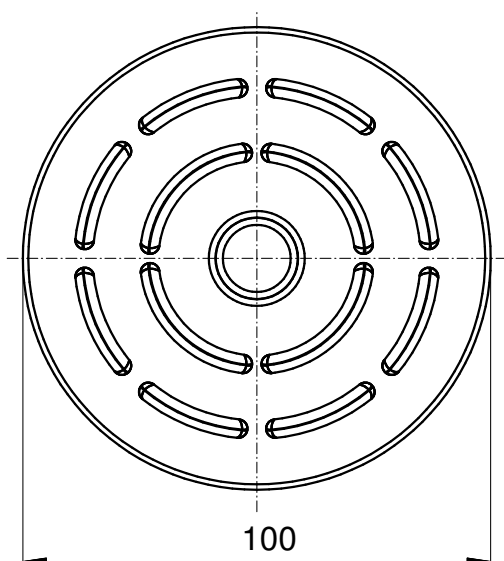
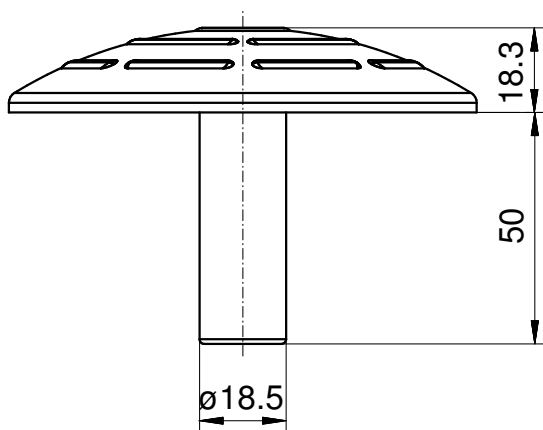


## Road stud

# MK Alu R0/100D with shank



### REFLECTOR DATA

Application	Aluminum road stud
Item	MK Alu R0/100D with shank
Item no.	09356270

### TECHNICAL SPECIFICATIONS

Shape	round
Size(ØxHeight)	100 x 18,3 mm
Tolerance	ISO 2768-c
Mounting	to be glued (without tape) to be pressed in
Chemical resistance	Increased
Operating temp.	-40°C bis +120°C
Surface	Standard

### MATERIAL DATA

Material bracket	Aluminum
Material reflector	-

### DESCRIPTION

Road studs for marking roads, traffic routes and parking spaces