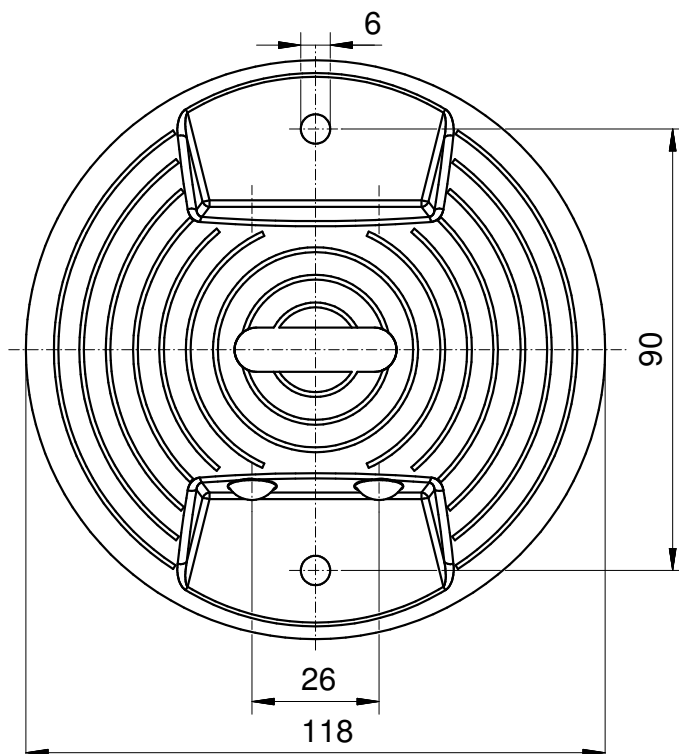
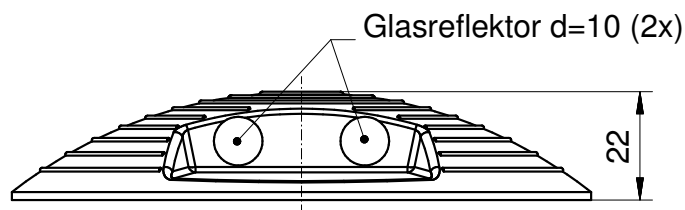


## Road stud

# MK R2/120D 2 Bo. white



### REFLECTOR DATA

Application	Plastic road stud
Item	MK R2/120D 2 Bo. white
Item no.	20412500

### TECHNICAL SPECIFICATIONS

Shape	round
Size(ØxHeight)	118 x 22 mm
Tolerance	TG5 [DIN 16742]
Mounting	To be glued (without tape) To be nailed (without nail)
Chemical resistance	Standard
Operating temp.	-20°C bis +70°C
Surface	Standard

### MATERIAL DATA

Material bracket	PE white
Material reflector	Glas clear

### DESCRIPTION

Road studs for marking roads, traffic routes and parking spaces