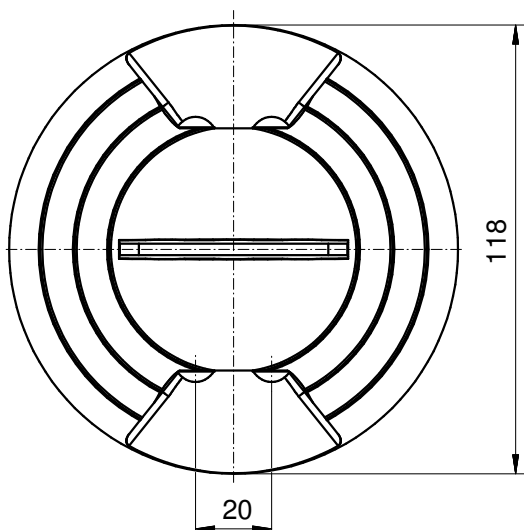
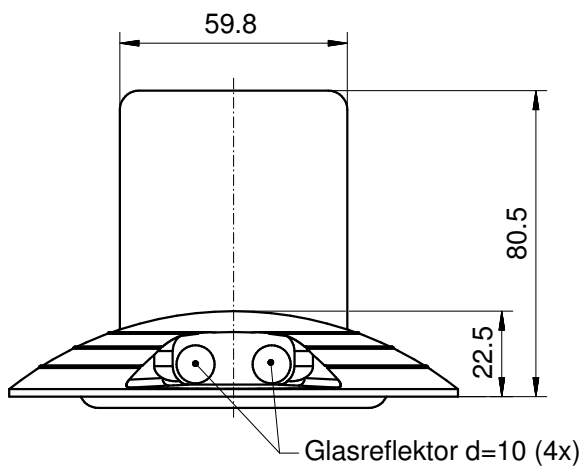


Road stud

MK R4/120D mit Fahne yellow



REFLECTOR DATA

| | |
|-------------|-----------------------------|
| Application | Plastic road stud |
| Item | MK R4/120D with flag yellow |
| Item no. | 81872520 |

TECHNICAL SPECIFICATIONS

| | |
|---------------------|----------------------------|
| Shape | round |
| Size(ØxHeight) | 118 x 22,5 mm |
| Tolerance | TG5 [DIN 16742] |
| Mounting | To be glued (without tape) |
| Chemical resistance | Standard |
| Operating temp. | -20°C bis +70°C |
| Surface | Standard |

MATERIAL DATA

| | |
|--------------------|-------------|
| Material bracket | PE yellow |
| Material flag | TPE red |
| Material reflector | Glas yellow |

DESCRIPTION

Road studs for marking roads, traffic routes and parking spaces